

KEIGIO®

M O D U L A R D E S I G N

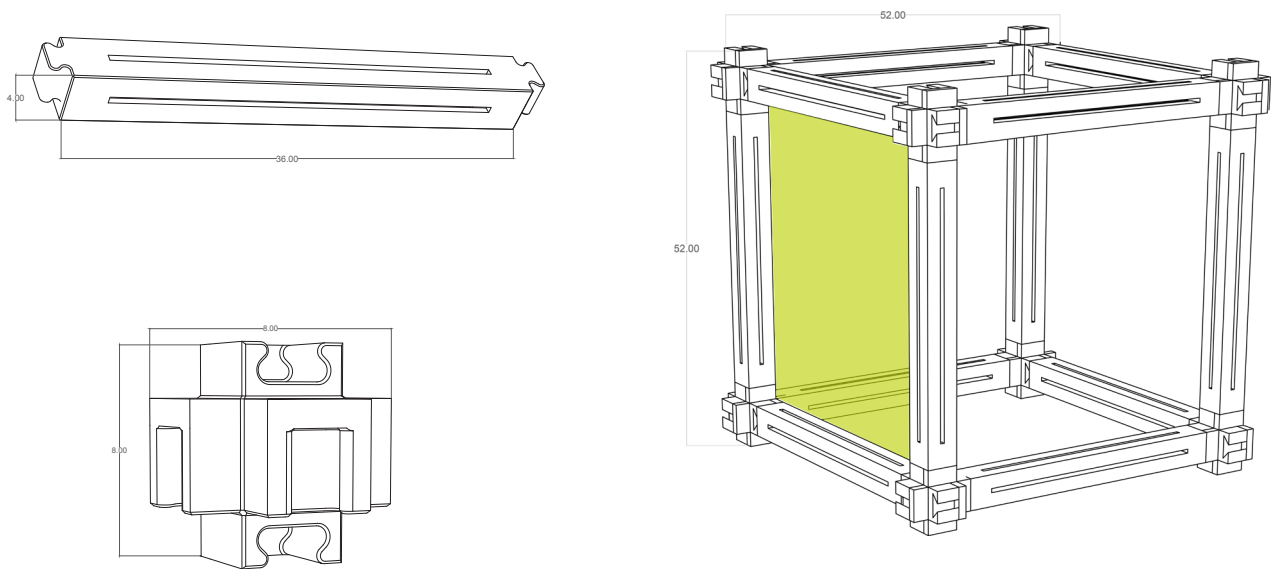


KEIGIO® SHELF

The KEIGIO® SHELF system offers an endless array of configurations to accommodate various spaces and requirements. The joints and arms of the shelf elements are constructed from molded raw aluminum. The modules can be assembled in various sizes and arrangements without the need for additional tools. The surface elements are available in stainless steel, security glass, or transparent methacrylate. Moreover, all KEIGIO® shelf configurations are self-supporting, eliminating the need for attachment to a wall.

The KEIGIO® SHELF is a shelving system consisting of three primary components: the joint, the arms (which are precision-jointed and made from die-cast aluminum), and the shelves (which are available in tempered glass or colored methacrylate). These shelves fit seamlessly into specially designed grooves within the inner arms of the system.





The **KEIGIO® SHELF** system is created to establish order and structure in the spaces we inhabit. The construction elements are minimalist in design and can be combined to form horizontal and vertical surfaces that meet various functional requirements for optimizing the environment.

The **KEIGIO® SHELF** boasts an almost limitless range of configurations, which are based on the principles of perfect proportion and the repetition of a cube shape. This creates a fractal-like furniture system that can adapt to any space. Additionally, all shelf configurations are freestanding and do not require attachment to a wall.

