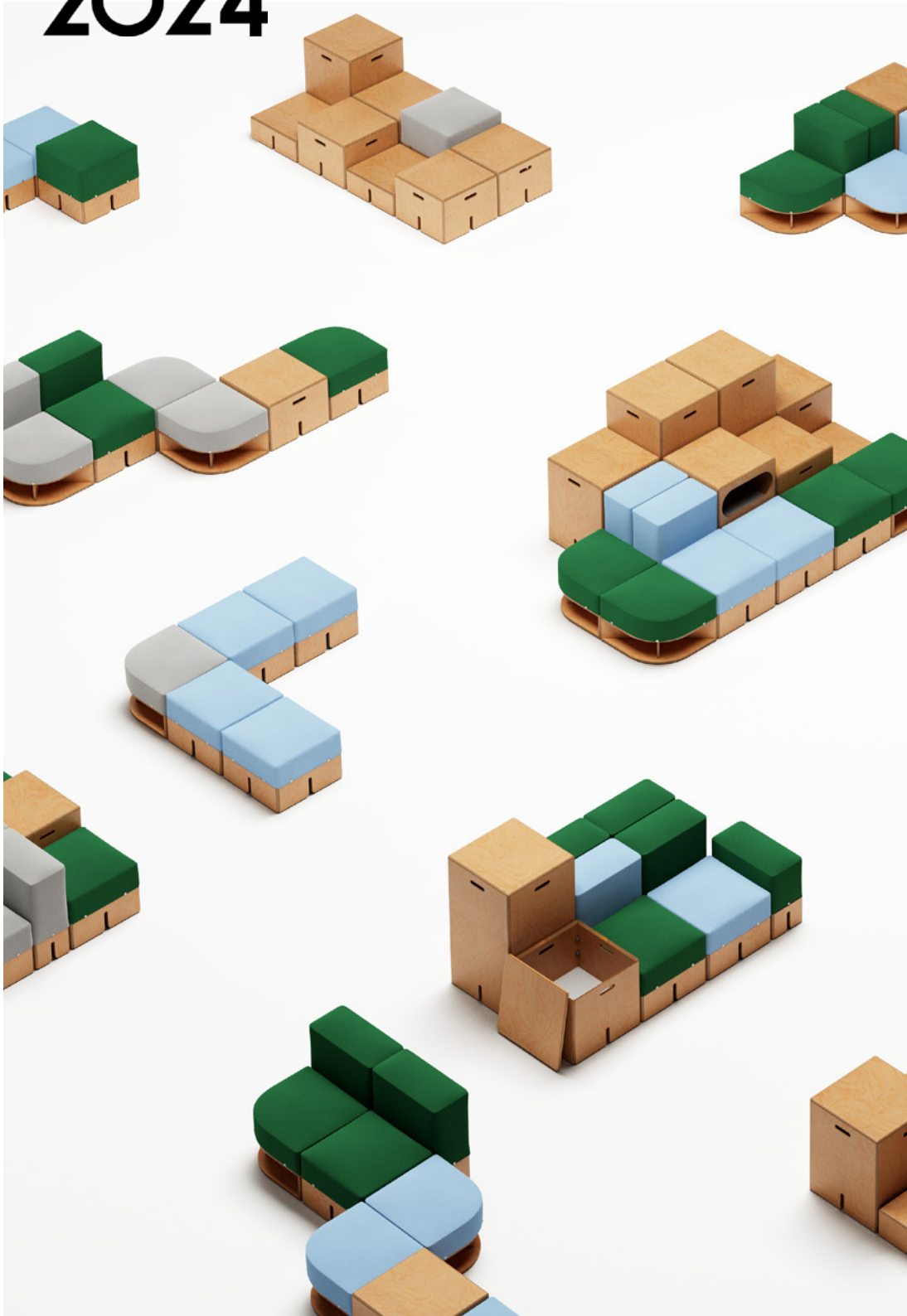


2024



KEIGIO DESIGN S.L. - Catalog

CONFIDENTIAL AND PROPERTY

This catalog is the property of KEIGIO DESIGN SL. Imitation or printing of its illustrations and partial or total configuration is prohibited without express permission from KEIGIO®. The company reserves the right to modify its design and structure. The company is not responsible for errors made by third parties in translations or printing.

The following catalog is created by the technical and design team of KEIGIO®.



We would like to remind our dear customers that a .pdf version of the 2024 CATALOG is available on our website www.keigio.com. We invite you to view it digitally or download it. This catalog is printed on FSC paper.

FSC stands for Forest Stewardship Council, an organization dedicated to promoting sustainable forestry practices worldwide. Let's take care of our planet and be sustainable.

INDEX

ABOUT KEIGIO®	4 - 7
36x36 SYSTEM	10 - 21
54x54 SYSTEM	22 - 39
PONG	40 - 49
SHELF SYSTEM	50 - 57
TABLE	58 - 65
CHAIR	66 - 73
STOOLS	74 - 79
LAMP SYSTEM	80 - 83
SHOWROOM	84 - 87



In tune with the world of underground art, **KEIGIO®** aims to connect with people who are curious about new concepts. **KEIGIO®** is a brand that wants to make an impact on those who love to grow by constantly questioning their surroundings and are open to be amazed.

KEIGIO® offers an alternative to the tastes of the mainstream modular furniture market.

ABOUT US

KEIGIO® is a high quality modular furniture brand offering sofas, shelves, lamp systems, chairs and tables with a retro-futuristic industrial design, always adapting to any space in shape and dimension.

KEIGIO® was born as a personal project by the Italian designer Giovanni Bruni.

In 2015 he developed his first modular structure. Then, he founded **KEIGIO®** and opened his interior design studio in an industrial loft in Barcelona, constantly looking for new modular solutions for different spaces.

The name of the **KEIGIO®** brand derives from the Japanese word 形状 *Keijō* which means *the shape of a physical object located in a space*. It has been chosen by the founder due to his great passion for the country of the rising sun. Simplicity, craftsmanship and premium materials characterize Japanese design and above all, projects that present clean lines, minimalist furniture and natural elements.

Our vision is to generate the instruments for everyone to become their own interior designer, creating micro-architectures easily reassemblable and adaptable to any space and need.

OUR CONCEPT

KEIGIO® takes up the concept of “Gamification” proposing typical game dynamics and applying them to interior design in order to enhance motivation to solve problems such as adaptation to a world in global movement where home and job may suddenly change. The modular elements, easily transportable and reassemblable, become a practical solution giving the user the freedom to create their interiors.

PHILOSOPHY

When we create our products, we focus both on high quality and craftsmanship for maximum durability and also the impact they will have on the environment. We make sure that all the materials are traceable as well as consider the sustainability of the production processes.

All furniture is modular, which means that each piece can be customized in materials, dimensions and finishes.

THE ADVANTAGES OF MODULAR FURNITURE

The world of **KEIGIO®** modular furniture offers numerous advantages and exciting opportunities for both designers and consumers.

- 1. FLEXIBILITY:** **KEIGIO®** modular furniture allows for greater flexibility in space design. Since the pieces are designed to be configured and combined in different ways, you can easily adapt your furniture to your needs and the dimensions of your space.
- 2. ADAPTABILITY:** Particularly suited to evolving environments, such as expanding office spaces, growing residences, or temporary housing. By using our **KEIGIO®** furniture, you can add or remove modules based on changing needs.
- 3. CREATIVITY:** Modular furniture offers many possibilities for creative expression and personalized design. With **KEIGIO®**, you can create unique configurations that reflect your style and meet your functional needs.
- 4. SPACE OPTIMIZATION:** **KEIGIO®** furniture is ideal for maximizing available space, especially in smaller spaces. It can contribute to maximizing space utilization efficiency.
- 5. DURABILITY:** The ability to replace or upgrade specific parts of modular furniture can help reduce waste and environmental impact. Additionally, some companies produce modular furniture using sustainable materials. High-quality **KEIGIO®** modular furniture tends to last over time, making it a good long-term investment.
- 6. CUSTOMIZATION:** **KEIGIO®** offers customization options, allowing customers to choose materials, colors, and finishes that match their preferences.
- 7. EASY TRANSPORT AND ASSEMBLY:** **KEIGIO®** modular furniture is ingeniously designed to be easily transported and assembled, simplifying the delivery and assembly process compared to non-modular furniture alternatives.

In general, **KEIGIO®** modular furniture is an interesting choice for those seeking versatile and customizable solutions for their spaces. Always pay attention to the quality of materials and design, as this will influence the longevity and appearance of the furniture over time.

MODULAR
OFFICE

A modular DESIGN
that combines style
and functionality
for a working
environment that's
as pleasant as it is
productive!



36x36 SYSTEM

The **KEIGIO® 36x36** is our first project that we are very proud of. It is a modular system consisting of interchangeable modules, all with a 36x36 centimeter base.

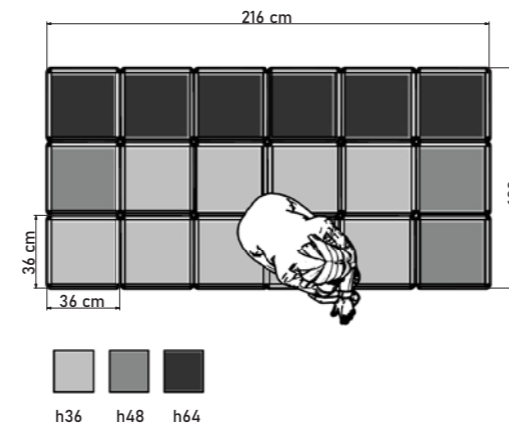
Without a doubt, the **KEIGIO® 36x36** is the sofa system with the smallest modules on the market! The different modules vary in height and functionality.

There are **WOODEN** modules, perfect as support surfaces and for storing objects inside.

The **SOFA PUFF** modules come in three different heights and can be used as seats (h36), armrests (h48), and backrests (h64).

The **SOFA PUFF** modules are made using comfortable foams of different densities and 6 cm of memory foam on top of everyone.

The **KEIGIO® 36x36** is completed with a set of **CUSHIONS**. Fabrics, colors, as well as wooden materials can be chosen from a wide range of proposals or customised, if required.



54X54 SYSTEM

KEIGIO® 54x54 is our most comprehensive and innovative system. All modules are interchangeable and have a 54x54 centimeter base.

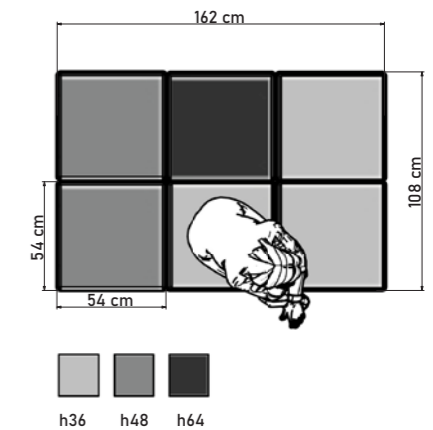
We designed this system to fulfill two different needs: to create comfortable sofas and to establish chill-out spaces at various heights, like bleachers in trendy offices.

With **KEIGIO® 54x54** we have created something unique, a new concept that combines the classic office furniture with home furniture. It is extremely **functional & flexible**.

The **WOODEN** modules can have 5 different heights and two different systems for storing items such as laptops, notebooks, or cushions.

Then there are the **SOFA PUFF** modules, incredibly comfortable with their 6 cm of memory foam on top.

The **KEIGIO® 54x54** is completed with a movable **SIDE TABLE** and the set of **CUSHIONS**. All of them can be customized in terms of colors, finishes, and materials.



KEIGIO® 36X36



36X36 MODULAR SYSTEM

The **KEIGIO® 36x36 System** offers **9 modules, many colors and 1000 ways to create a comfortable and personalized sofa.**

The **KEIGIO® 36X36** modular system is essentially composed of 2 types of elements with the same dimensions that make them perfectly interchangeable: the comfortable **SOFA PUFF** seats and the **WOODEN** end table - box.

The **SOFA PUFF** modules can be transformed into **FLOOR CUSHIONS** by removing the wooden plinth and replacing it with a special cover with an eco-leather base.

FLOOR CUSHIONS are soft and practical elements to furnish your children's bedroom floor or any other space you wish.

The **KEIGIO® 36x36** System is completed with two **CUSHIONS**, one rectangular and one triangular with removable, washable covers.

KEIGIO® 36X36



INTERIOR DESIGN STUDIO

The Loft - Poble Nou, Barcelona.



1. SOFA PUFF

The **SOFA PUFF** elements have a base of 36 x 36 centimeters and 3 possible heights of 36, 48 and 64 centimeters. The **SOFA PUFF** modules all have a top layer of 6 cm of **viscoelastics**.

2. WOODEN

The **WOODEN** elements have a base of 36 x 36 centimeters and 3 possible heights of 36, 48 and 64 centimeters.

All the modules are built with strictly FSC wood. They are perfect as **end table** or **storage box**.



3. FLOOR CUSHION

The **FLOOR CUSHION** are elements derived directly from the **SOFA PUFF** modules but do not have a rigid base. They stand directly on the floor on a black eco-leather base.

Unlike the other **KEIGIO® 36x36** modules, they are not intended to join together but are particularly suitable as furniture or play elements for children.

4. CUSHIONS

The **CUSHION** elements are specifically designed to integrate with the **KEIGIO® 36x36** System. Triangular and Rectangular shapes, 8 colors and 1000 ways to make your sofa even more comfortable and original.





36x36 MODULES

- SOFA PUFF**
h36, h48, h64
- WOODEN**
h36, h48, h64
- FLOOR CUSHION**
h24, h36, h52
- CUSHIONS**
Rectangular - Triangular

ASSEMBLY

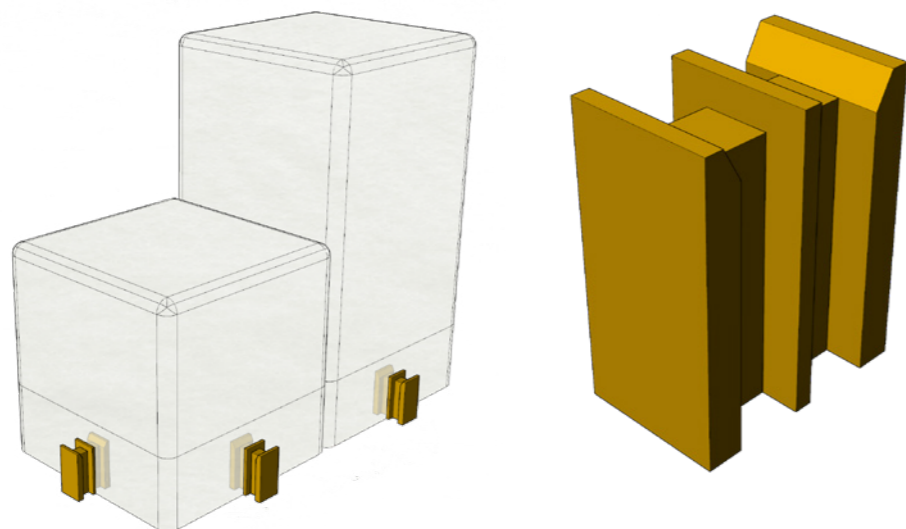
With the help of a third H-shaped element made of solid wood we connect the KEIGIO® System Modules.

The **KEIGIO® 36x36** and **KEIGIO® 54x54** System utilize a **solid birch** wood element with a unique geometry that enables the seamless connection of various modules. This design allows for easy insertion or removal of individual modules within the sofa system, regardless of their position.

For instance, if you wish to change the color of a cushion cover, simply pull the desired puff upwards to detach it from the sofa system. This effortless removal allows for convenient replacement of the cover, and once done, you can easily insert the puff back into place using the same process. This user-friendly feature ensures hassle-free customization and flexibility for your modular system.

H-SHAPED JOINT

H-shaped joint elements in solid beech wood with magnets to help during assembly.





DELTA AWARDS

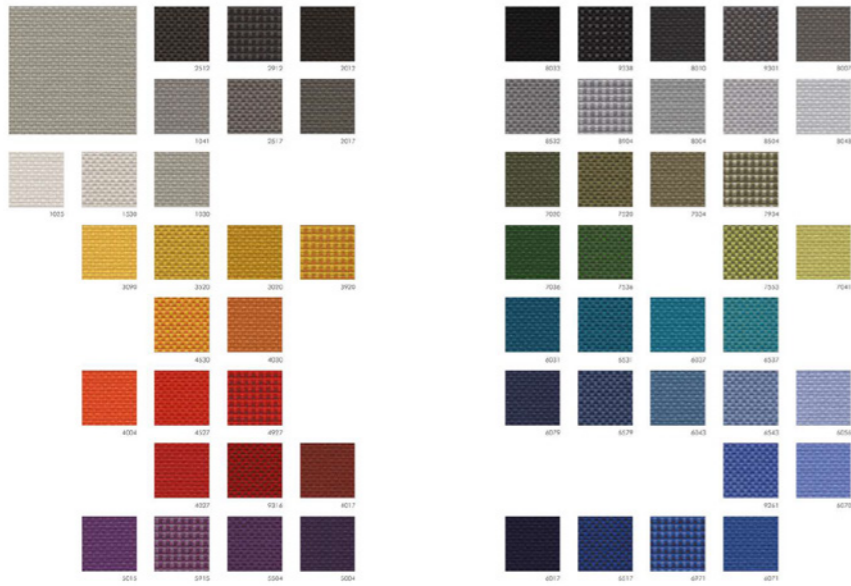
The Delta Awards aim to celebrate excellence in design and emphasize its importance as a prime tool for creating wealth in an industrial economy, as well as highlighting its role as an expression of our culture.



Bronze Delta
ADI Awards 2020

COLORWAY

LASER N



FIDIVI*



LASER N

Compact fabric in united, two-coloured and three-coloured types. 58 colorways.

480 g/ml - 340 g/m²

100% Polyester Trevira CS

Gabriel*



TONAL

Tonal is made from recycled post-consumer polyester and has an excellent environmental profile.

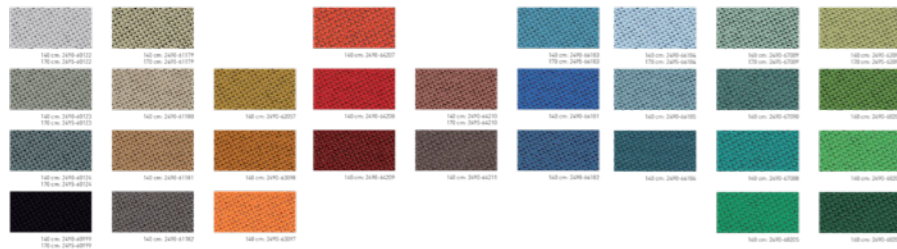
99% post-consumer recycled polyester / 1% polyester

CURA

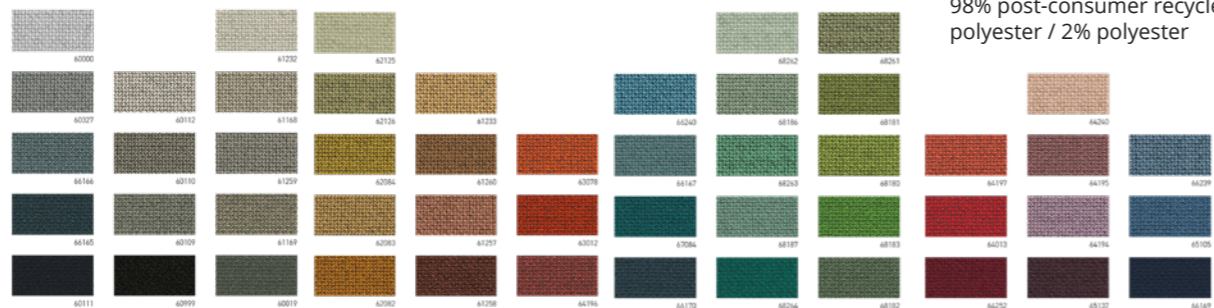
Cura is a multi-purpose, two-coloured upholstery fabric made from 98% post-consumer recycled polyester.

98% post-consumer recycled polyester / 2% polyester

TONAL



CURA



ADI-FAD

ADI-FAD is the Spanish Association of Industrial Design. They are passionate about product design!

Since 1962 they organize the Delta Awards for Industrial Design, which have been won by some of the most renowned Spanish designer products in recent history.



KEIGIO® 54X54



KEIGIO® 54x54



#MODULARSYSTEM #MODULARSOFA #BLEACHERS #PUBLICSEATINGSYSTEM

54x54 Modular System

The modular KEIGIO® 54x54 System is easily reconfigurable to create seating areas, sofa systems, auditorium spaces or collaboration points with an incredible flexibility from chillout space, to meditation, to playground.

The KEIGIO® 54x54 System embraces sustainability by utilizing FSC certified wood materials. With finishes available in natural Birch, natural Pine, white, or black lacquered.

The elements are durable and robust, the KEIGIO® 54x54 System is suitable for various locations such as bars, restaurants, offices, commercial spaces, and homes. Its versatility ensures a seamless integration into any environment.

The SOFA PUFF modules and upholstered CUSHION pads are meticulously crafted to order, offering a wide range of fabric options, colors, and patterns. The foams and fabrics used could be fire-resistant and fully certified for contract use, ensuring safety and compliance with regulations.

The SOFA PUFF modules all have a top layer of 6 cm of viscoelastics.

54x54 MODULES

WOODEN
h36, h48, h64, h92

SPECIAL WOODEN
h48 HOLE, h64 STORAGE

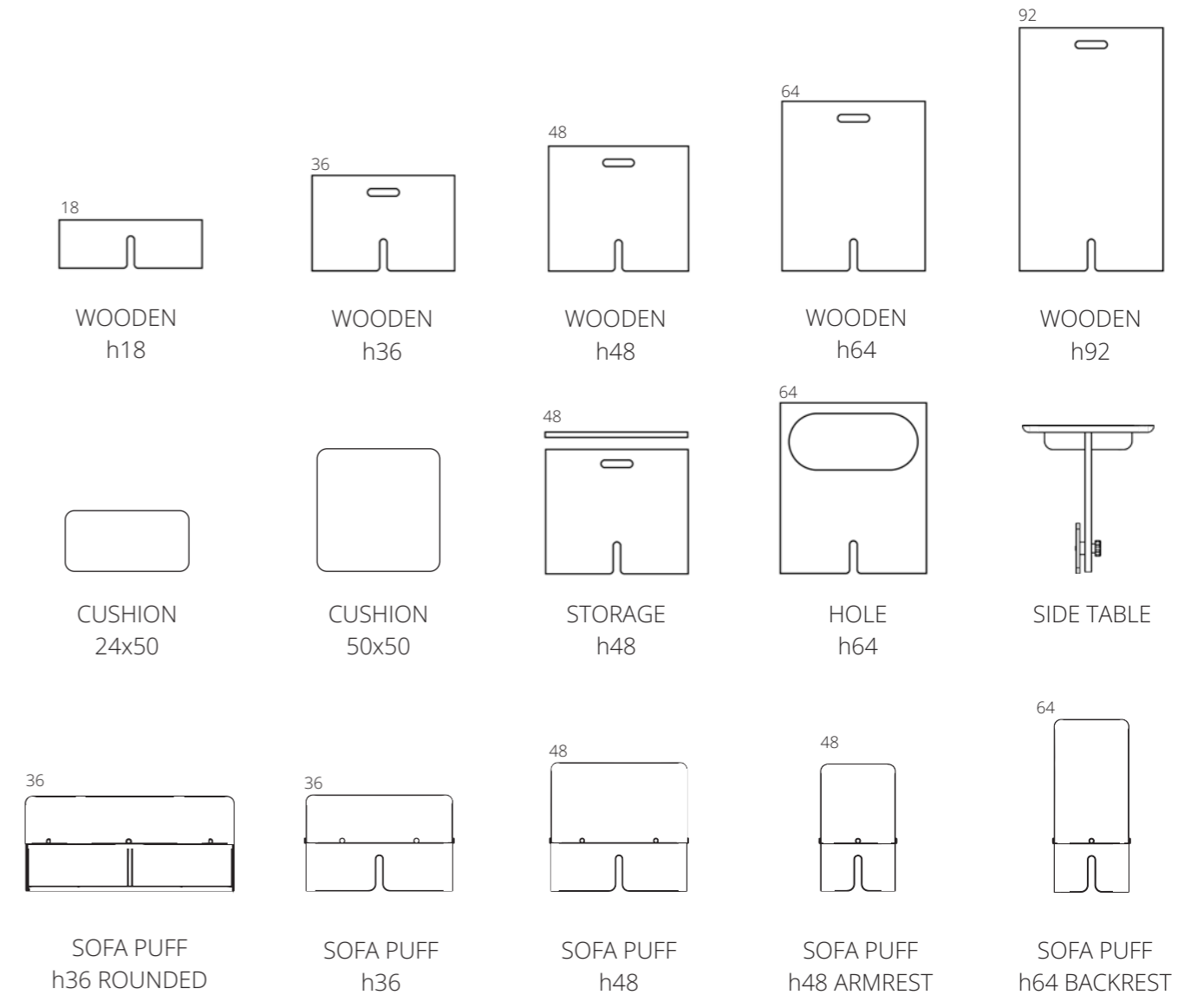
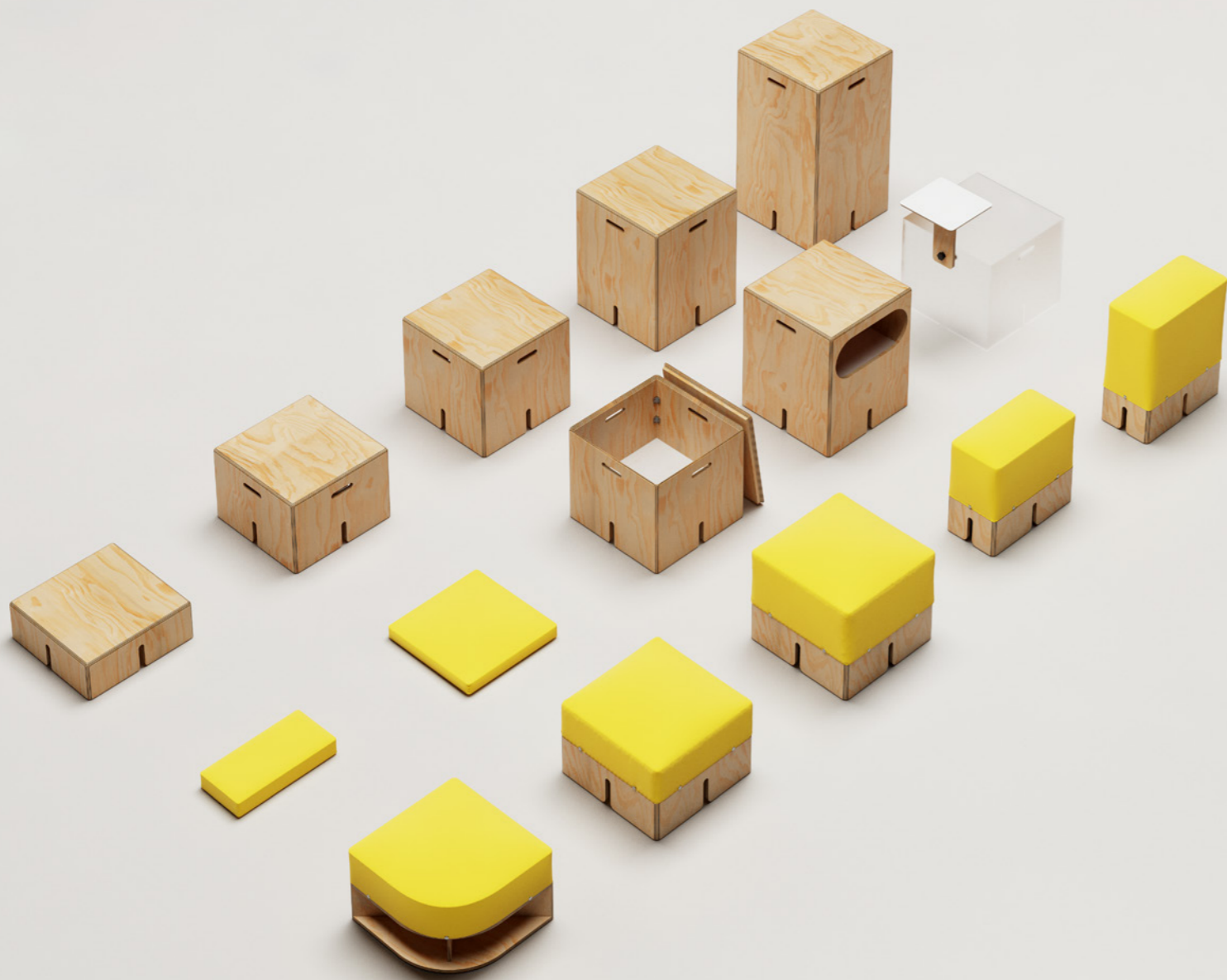
SOFA PUFF
h36, h48

SPECIAL PUFF
h36 ROUNDED, h48 ARMREST,
h64 BACKREST

CUSHIONS
50X50, 24X50

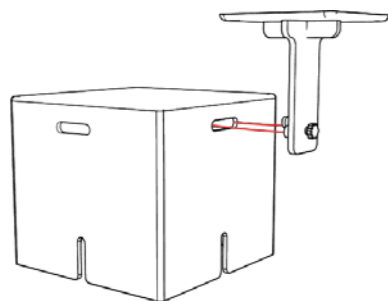
SIDE TABLE





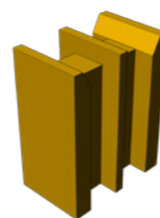
SIDE TABLE

The **SIDE TABLE**, is a unique element, it can be hung in the handle holes, transforming every wooden module into a workstation or a standalone table-chair.



ASSEMBLY

H-shaped joint elements in solid birch wood with magnets to help during assembly. Each module can be inserted or removed regardless of their position inside the sofa system.



KEIGIO® 54x54 WOODEN Modules

The **KEIGIO WOODEN** Modules set consists distinct variants. This includes 5 different heights: **h18**, **h36**, **h48**, **h64**, **h92**.

There are also special modules like **h48 HOLE** and **h64 STORAGE**, designed for storage books, laptops or small objects.

KEIGIO® 54x54 SOFA PUFF Modules

The **SOFA PUFF** Modules are available in **h36**, **h48** and the special ones: **h36 ROUNDED**, **h48 ARMREST**, and **h64 BACKREST**.

All **SOFA PUFF** Modules are crafted and designed for **Contract**. **Certified textiles**, and **FSC Certified wood**.

KEIGIO® 54x54 CUSHIONS

The **CUSHIONS** are offered in two size options: **50x50** cm and **24x50** cm.

The **50x50** version provides complete coverage of the seat surface, while the **24x50** is specifically designed to leave a gap to allow easy passage of people and their feet.



The KEIGIO® 54x54 System is a versatile solution that can be used as a unique workspace, a cosy chill-out zone, an auditorium or a playground.

KEIGIO® 54x54 SYSTEM Office & School

One of the features of the **KEIGIO® 54x54** System is the mix between rigid and soft elements. This combination creates furnitures that seamlessly blend into any environment, from a cozy living room to a modern office space.

The **WOODEN** elements add a touch of elegance and sophistication, while the **SOFA PUFF** modules provide a comfortable and relaxed seating experience.

With all the 12 modules, 2 Cushions, and the **SIDE TABLE**, it caters to all needs and spaces. The various heights, material and special variants, add unique features to the system, allowing for endless possibilities.

Whether for cozy seating or functional workstations, the **KEIGIO® 54x54** System offers versatility and adaptability. Unleash your creativity and explore the countless ways to use and enjoy the **KEIGIO® 54x54**.



KEIGIO® 54X54 DESK





KEIGIO® 54x54 DESK Flexibility and Style in Your Work or Study Space

The **KEIGIO® 54x54** modular system offers absolute freedom to create personalized compositions, complementing your work or study environment with versatility and style.

The **KEIGIO DESK** is modular, consisting of various elements: the structure is composed of our special wood modules or special iron legs, all combined with the **DESK TOP**, allowing for flexible space distribution and great stability.

The special modules are available with lateral or frontal openings for storage and, like the **DESK TOP**, are made

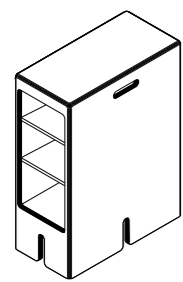
from high-quality materials such as marine plywood, lacquered RAL MDF, or laminated HPL MDF.

The iron legs, which can be screwed onto the table top, are available in different finishes: white, black, gray, chrome, and stainless steel effect.

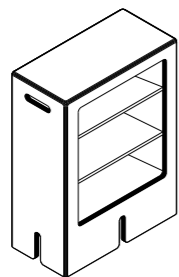
With the introduction of the new “special” modules and the table top, the modular system offers innovative solutions for a wide range of environments, allowing for the creation of highly functional and customizable workstations.



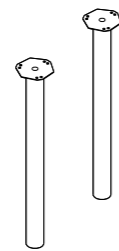
THE ELEMENTS



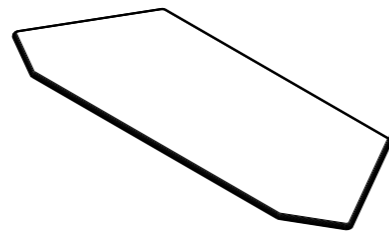
h72 Front HOLE



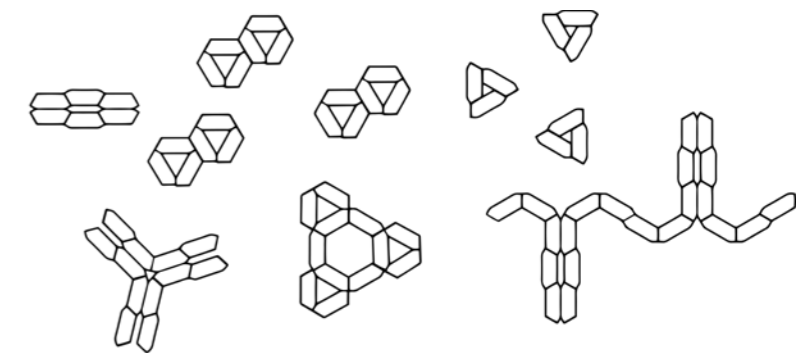
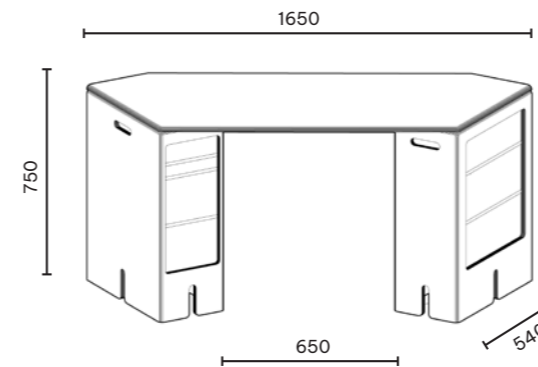
h72 Side HOLE



DESK LEGS



DESK TOP





COLLABORATION WITH

Böln

SAREK SLIM Böln

SIZE 43X43X8 cm



MATERIAL

The raw material of the polyurethane foam used for the Flexyskin technique comes from green waste and is certified by REDcert.

Despite their robust look, the polyurethane foam surfaces are soft and pliable to provide a comfortable rest.

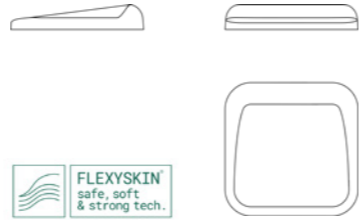
Böln

Böln is a brand of contract furniture for commercial spaces that, for the manufacturing of its collections, relies on the support of "Poliuretanos Rivas," an industrial company specializing in polyurethane foam injection for over 40 years.

Its well-established track record is Böln's greatest endorsement, thanks to its experience in developing industrial equipment for various sectors, such as automotive, hospitality, and healthcare. Moreover, it's a company committed to sustainable development, both ecologically and within its local community, which is why it maintains all its production in Spain.



REF 001	REF 002
REF 003	REF 004
REF 005	REF 006
REF 007	REF 008
REF 009	REF 010
REF 011	REF 012



KEIGIO® PONG



PING PONG

Passion for PING PONG grew during the year 2020-21 due to the strict restrictions upon the new form of social life that we were catapulted in. The interest in city parks bloomed and the center of attention of the many people who flocked to it shifted to its sports facilities.

**KEIGIO® HAS RE-INVENTED THE TABLE,
LET THE GAME ENTER A WHOLE NEW LEVEL.**

KEIGIO® PONG brings a fresh touch of innovation to this popular vintage game with an easy foldable design!

Enhance your space with **KEIGIO® PONG** – a sleek and adaptable table that seamlessly converts into a professional-grade ping pong surface.

Designed to accommodate up to 8 people when closed and expand to accommodate up to 12, it optimizes space utilization while maintaining its minimalist appeal. Experience the perfect combination of practicality and style with **KEIGIO PONG**, elevating your living space to new levels of versatility.

Crafted with precision and durability in mind, **KEIGIO® PONG** effortlessly blends into any interior décor, making it a stylish addition to your home or office. Whether you're hosting dinner parties or engaging in intense ping pong matches, this multifunctional table adapts to your needs, ensuring a seamless transition between work and play.

<https://keigio.com/pong/>



#PINGPONGTABLE #KEIGIOPONG #FOLDINGTABLE #KEIGIODESIGN



German POTTKER Folding Guide
The combination of the steel outer profile and the aluminium inner profile ensures high load capacity and exceptionally smooth run.

OPEN: 152.5x274x76 cm
CLOSED: 152.5x137x76 cm

FOLDING SYSTEM



/1



/2

/3



1. DETAILS

At **KEIGIO® Design** we have a weakness for details. We have designed ad-hoc graphics for this table and applied them with the technique of **Screen Printing** on wood.

Graphics are different and totally customizable. We inserted Longboard Skateboard wheels on the legs of the table which becomes more easily transportable. All the edges built in plywood are rounded and generate the typical design of all **KEIGIO®** products.

2. DESIGN

For the first time in the market of these gaming tables we can choose whether to use the table folded and therefore occupying half the space or open.

The measures of the table, when it is open are those of an **Official PING PONG** table 152.5x274x76 cm. Closed 152.5x137x76 cm.

3. MATERIALS

The **KEIGIO® PONG** is built using noble materials, thick birch or pine plywood, an internal iron structure and **Lisocore®** a material-efficient high performance construction material.

The folding system tool comes from the German premium brand **POTTKER** in aluminum and steel.

The net is made of transparent fluorescent methacrylate.

CUSTOMIZABLE



KEIGIO® SHELF



9 FRAMES

All **KEIGIO® SHELF** is a Freestanding System without the need to be attached to the wall.

Module Frame Size:
52x52x52 cm

#SHELFSYSTEM #MODULARDESIGN #KEIGIOSHELF #KEIGIODESIGN

KEIGIO® SHELF is a Configurable Modular System to meet your personal requirements.

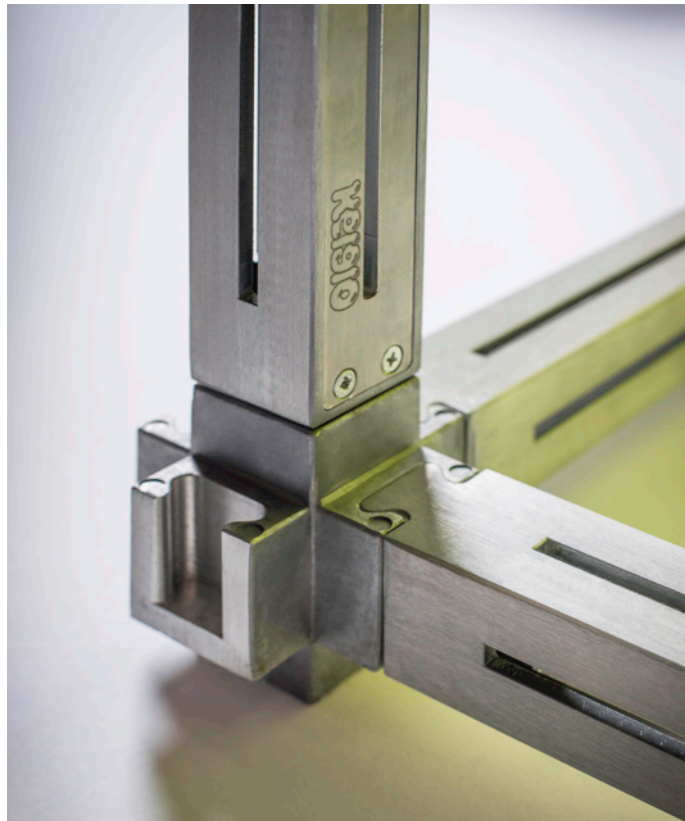
The **KEIGIO® SHELF** system is renowned for its adaptability to various spaces and needs. It offers an infinite number of configurations, allowing users to customize it according to their preferences. The shelf elements' joints and arms are constructed from molded raw aluminum, ensuring durability and stability.

What sets the **KEIGIO® SHELF** system apart is its intuitive assembly process. No additional tools are required to assemble the modules, which can be easily arranged in different sizes and configurations. This user-friendly feature makes it convenient for users to adjust the shelves according to their changing requirements.

To enhance its visual appeal, the **KEIGIO® SHELF** system provides a choice of surface materials. Users can select from stainless steel, security glass, or transparent methacrylate to suit their aesthetic preferences. This versatility allows the shelves to seamlessly integrate into any space, be it a home, office, or retail environment.



KEIGIO® SHELF



/1



/2

/3



1. INDUSTRIAL DESIGN

The **KEIGIO® SHELF** system is designed to define and organize the spaces we live in.

The construction elements are minimalist forms that are combined to create horizontal and vertical surfaces that respond to different functional demands for the rationalization of the environments.

2. MODULAR SHELF

KEIGIO® shelving system is composed of 3 elements: joint, arms (made of die-cast aluminum with precision joints) and shelf, tempered glass or colored methacrylate shelves that fit perfectly into special grooves in the inner arms.

3. PERFECT FRACTAL

The shelf system has an almost infinite number of configurations based on perfect proportions like those of a cube that is multiplied to give life to a fractal furniture.

KEIGIO® SHELF configurations are freestanding without the need to be connected to the wall.



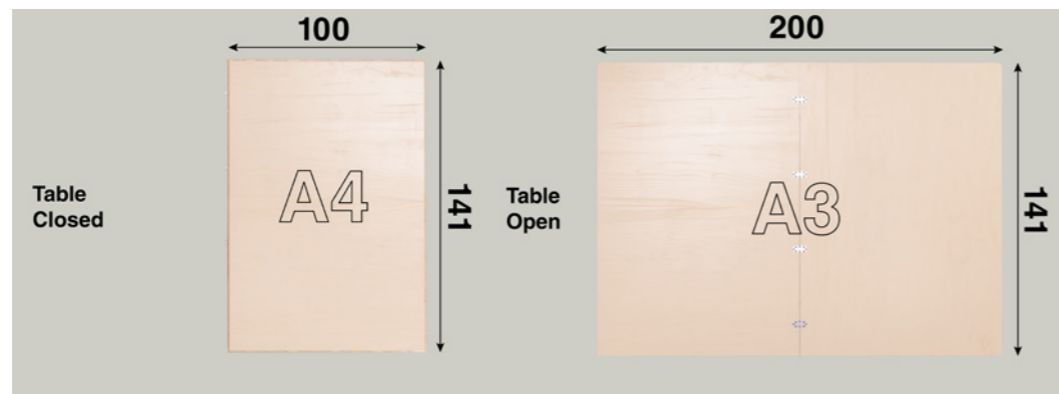
MODULAR FRAME: 52x52x52 cm

KEIGIO® TABLE



"DIN A" PROPORTIONS

KEIGIO® TABLE sizes are all based on a single aspect ratio of the square root of 2, or approximately 1:1.41421. As the DIN A4 standard sizes share the same aspect ratio ($\sqrt{2}$). Open and Closed Table keep the same proportions.



#FOLDINGTABLE #SMARTTABLE #SKATEBOARDFURNITURE #KEIGIODESIGN

KEIGIO® TABLE, THE A4 PAPER PROPORTION TABLE WITH A SKATEBOARD SOUL.

The **KEIGIO® TABLE** is a carefully designed solution that addresses both our aesthetic preferences and space limitations.

It offers the flexibility to adjust its size effortlessly, transitioning from a **100x141** centimeter configuration that comfortably accommodates 6 people to a larger **141x200** centimeter setup that can seat 10 diners. The table is equipped with big longboard wheels, from the american brand **Orangatang**, making it very easy to move within your space.

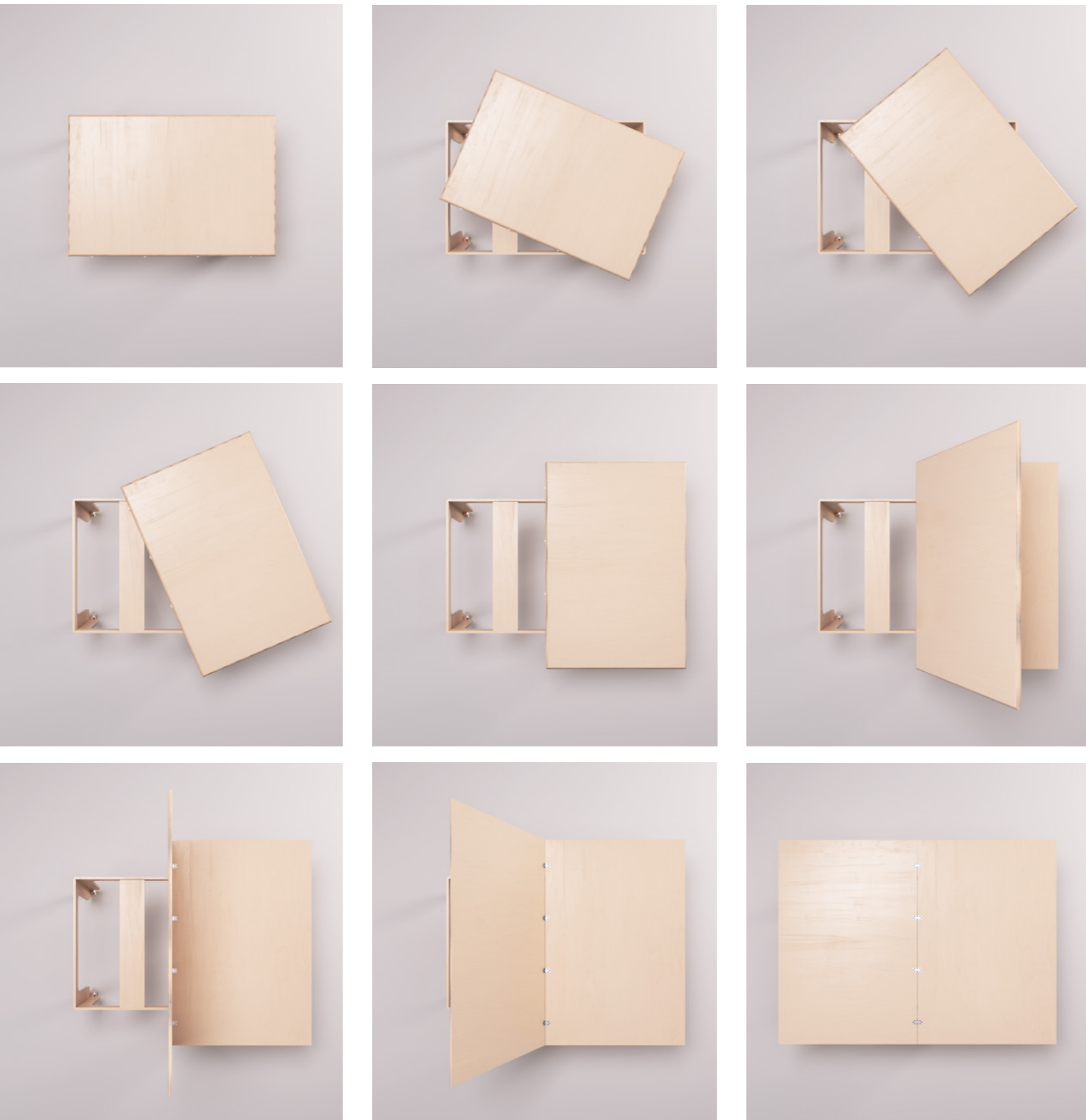
The table is crafted from high-quality birch or pine plywood and **Lisocore®** - a high-performance construction material.

Its sizes are based on a single aspect ratio of the square root of 2 (approximately 1:1.41421), which harmonizes with **DIN A4** standard sizes. Whether the table is open or closed, it maintains consistent proportions, ensuring visual harmony.



KEIGIO® TABLE

2024 COLLECTION



CUSTOMIZABLE DESIGN

We design ad-hoc graphics for this table and applied them with the technique of **Screen Printing** on wood. Graphics are different and totally customizable.

FOLDING SYSTEM

KEIGIO® TABLE transforms its size from 100x141 to 141x200 centimeters with one simple 90 degrees rotation that magically keeps the table perfectly centered with the table legs.

After rotating, we can open the tabletop like a book, thus doubling the size of our table.

OPEN: 141x200x76 cm CLOSED: 100x141x76 cm



All the edges built in plywood are rounded, typical design of all KEIGIO® products.

/ 1



/ 3



/ 2

1. DETAILS

At **KEIGIO®** design we have a weakness for details.

Foldable **KEIGIO® TABLE** is characterized by clean lines and soft shapes with the unmistakable style of our products.

We inserted Longboard Skateboard wheels on the legs of the table which becomes more easily transportable.

2. DESIGN

Foldable **KEIGIO® TABLE** measures are 141x200x76cm Open and 100x141x76 cm Closed.

KEIGIO® TABLE sizes are all based on a single aspect ratio of the square root of 2, or approximately 1:1,41421. As the DIN A4 standards sizes share the same aspect ratio.

Open and Closed Table keep the **same proportions.**

3. MATERIALS

The **KEIGIO® TABLE** is built using noble materials as **FSC** (Forest Stewardship Council) certified natural birch or pine plywood, and **Lisocore®** that is a material-efficient high performance construction material.

This modern material achieves its excellent properties thanks to its unique structure.



KEIGIO® CHAIR

ORANGATANG

Our stunning Durian 75mm Longboard Wheels by the Californian brand Orangatang in 3 different colors

#CHAIRS #SKATEBOARD #WHEELEDCHAIR #PLYWOODDESIGN



SKATEBOARD CHAIRS

The **KEIGIO® CHAIR** is completely handmade, with care and every little detail is inspired by the passion for Skate.

The **KEIGIO® CHAIR** is an element with an innovative design characterized by clean lines and soft shapes with the unmistakable style of our products.

The **KEIGIO® CHAIR** are surmounted by a 60mm diameter tubular galvanized iron backrest that recalls the structures of the skateparks and is comfortable and enveloping.

The chairs are available in two variants, with and without large Longboard wheels. The clear reference to the world of skateboarding is the result of the fusion of different passions such as design and urban culture, both part of our DNA.

KEIGIO® CHAIR

2024 COLLECTION

<https://keigio.com/chair/>



The skateboard wheels allow excellent stability and smooth movement in the room.



KEIGIO® CHAIR is surprisingly sturdy and has a very comfortable slide-grind rail style backrest. It is equipped with huge 75mm diameter Longboard wheels from the famous American brand **Orangatang** which make it very easy to move and is equipped with brakes to stabilize in one position.

Our chairs perfectly match the tables we have designed, same arches, same rounded edges, same concept. It is made with **FSC certified wood** materials, the most reliable sustainable forest solution in the world. The type of wood used is natural marine birch or pine plywood which makes it very strong and resistant.

Two elements in 3D printed plastic material complete the armrests of the backrest. They will be branded with the K of **KEIGIO®** on one side and with the lightning bolt on the other but you could choose to customize them as you wish.



KEIGIO® STOOL



KEIGIO® BAR

Counter bar built by KEIGIO® in premium Fenix material from the Italian brand ARPA Industriale.

Stool Height: 80 cm

#BARSTOOLS #COUNTERSTOOLS #KEIGIOSTOOL #PLYWOODDESIGN

BAR & COUNTER STOOLS

The KEIGIO® STOOL comes in different customizable heights and can be used as either a counter stool, a bar stool or a high bar stool.

The **KEIGIO® STOOL** uses only wood materials of FSC certified origin and the finishes can be in natural Birch, natural Pine, white or black laquered.

The wood ones are painted with two coats of a highly transparent finish with a satin and natural effect that leaves the highest quality wood face "in sight".

The stool is made of plywood, which, thanks to the layers of ultra-resistant varnish, gives it a perfect resistance to moisture, making it particularly hard and robust and suitable for any type of bar, restaurant and commercial space.

2024 COLLECTION

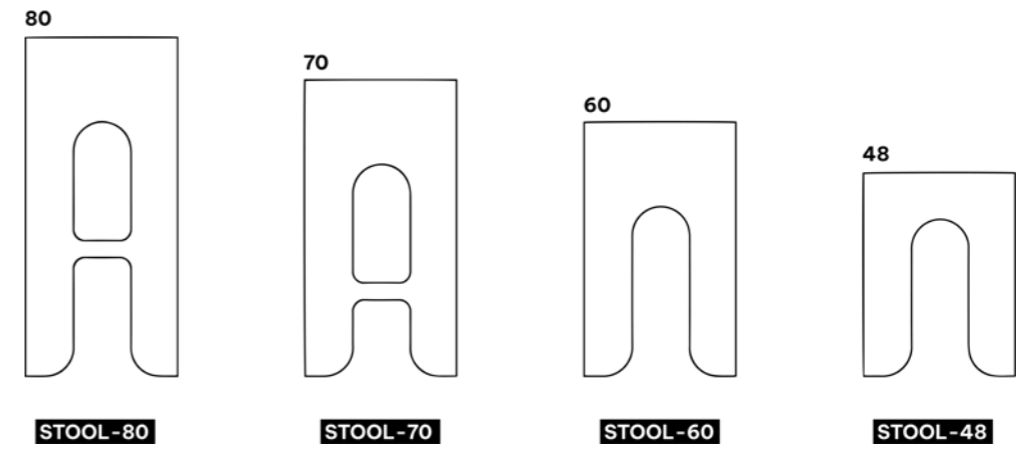


KEIGIO® STOOL



The KEIGIO® STOOL comes in four different heights - 80cm, 70cm, 60cm, and 48cm - allowing you to choose the perfect height for your needs.

The seat is always a comfortable 36cm x 36cm, providing ample space for seating.





KEIGIO® LAMP

24 MODULES:
9 OPEN TRANSPARENT
3 OPAL WHITE LAMP
11 CLOSED LIGHT BLUE
1 CLOSED NEON RED

The translucent methacrylate KEIGIO® LAMP system composed of 3 different modules: open, closed or illuminated. They are easily configurable to obtain a number of different lamp shapes.

The **KEIGIO® LAMP** system is inspired by the 80s game, the Rubik's Snake, and we have scaled it to get a completely modular lamp.

The translucent methacrylate elements can be open, closed and illuminated modules easily configurable in order to obtain an infinite number of shapes.

The lamp is transformable in a playful way to resemble a wide variety of objects, animals, or geometric shapes like the original toy.

#LAMPSYSTEM #MODULARDESIGN #KEIGIOLAMP #KEIGIODESIGN



2024 COLLECTION

KEIGIO® LAMP



SHOWROOM

Since 2018, you can visit our KEIGIO® showroom in the heart of Barcelona's downtown.

Our furniture is presented amongst a retro-futuristic industrial decoration reflecting our brand.

Feel free to visit or contact us to receive our personalized service and more information about KEIGIO® Design.

CONTACT

Linkedin: @keigio design
Instagram: @keigiodesign
YouTube: Keigio Design

info@keigio.com
+34-628 009 371

ADDRESS

Carrer Gombau, 18
08003 Barcelona.

Parking available at
Santa Caterina Market.

OPENING HOURS

Monday to Saturday
10:30 am - 6:30 pm.

<https://keigio.com/showroom/>

CORPORATE VIDEO: <https://youtu.be/cd8vCgSXuGM>

KEIGIO®



If KEIGIO® were a music band, it would identify with the “indie music” scene. In the world of music, the term “indie”, comes from “independent”, and here it describes small and relatively low-budget labels and the do-it-yourself attitude of the artists involved.

Environmental Commitment and Eco-Contribution by KEIGIO® DESIGN

KEIGIO® DESIGN is committed to environmental sustainability with FSC® certified materials, modular design, digital catalogs to reduce paper consumption, Oeko-tex® and Euflower-Ecolabel® certified fabrics, and collaborates with Valdelia®, specifically in France for responsible furniture waste disposal, we also have or we are continuing searching for other partners across the rest of Europe.



The colours, finishing, illustrations and descriptions in this catalogue are provided solely by way of example. KEIGIO®, if necessary and in order not to stop the continuous improvement process and updating of the technical production, reserves the rights to change its models, without giving prior notice, improving them with all the technical and structural modifications as considered appropriate.

Events and trade shows we have participated in:

Barcelona
Design Week



WE
WORKSPACE
expo
PARIS

F
FUORISALONE.IT
MILANO

Δ
Bronze Delta
ADI Awards 2020

a
archiproducts

if
DESIGN
AWARD
2021

MAISON&OBJET

CHAIR

LAMP

SHELF

SOFA

TABLE

CONTACT

Linkedin: @keigio design
Instagram: @keigiodesign
YouTube: Keigio Design

info@keigio.com
+34 628 009 371

ADDRESS

Carrer Gombau, 18
08003 Barcelona.

Parking available at
Santa Caterina Market.

OPENING HOURS

Monday to Saturday
10:30 am - 6:30 pm.

www.keigio.com