



Technical Sheet
KEIGIO® STOOL

KEIGIO® STOOL

The KEIGIO® STOOL represents a fusion of versatility, sustainability, and meticulous craftsmanship. Designed with customizable heights, it effortlessly adapts to diverse settings, be it a counter, bar, or high bar area. A key highlight lies in its exclusive use of wood materials from Forest Stewardship Council (FSC) certified sources, underscoring a commitment to environmentally responsible practices.

Available in natural pine, birch, white or black lacquer finishes, the stool provides a visual feast for design enthusiasts. The Pine variants, in particular, undergo a sophisticated process involving two coats of a highly transparent finish.

This not only imparts a satin and natural effect but also showcases the intrinsic beauty of the premium pine grain, elevating the aesthetic appeal of the stool.

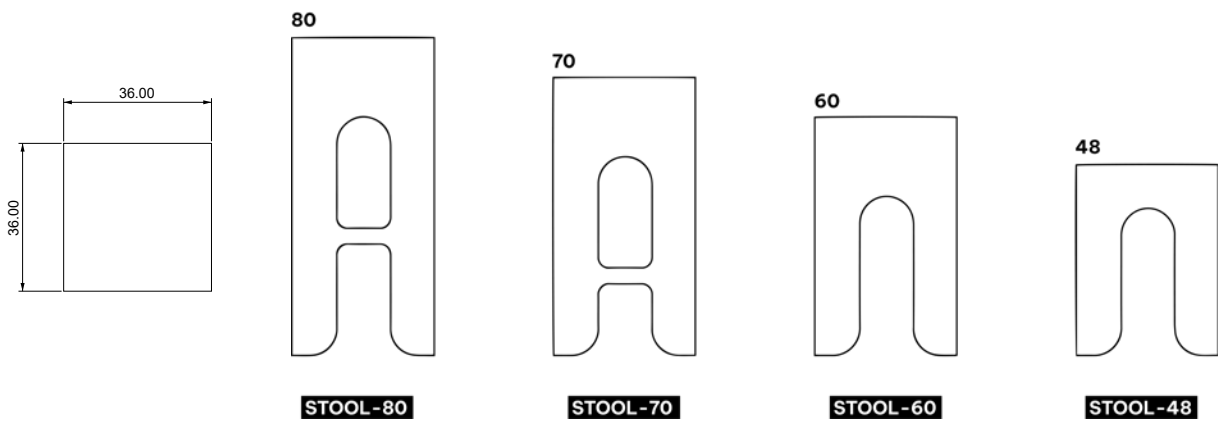
The structural integrity of the KEIGIO® STOOL is derived from its construction with Pine Plywood.

This material not only imparts durability but also boasts perfect humidity resistance, making the stool resilient and robust. This quality ensures suitability for high-traffic spaces such as bars, restaurants, and commercial establishments, where durability is paramount.

Beyond its functional attributes, the stool's FSC certification underscores a commitment to sustainable sourcing, promoting ethical and eco-friendly production practices.

The thoughtfully chosen finishes and materials reflect an attention to detail that extends beyond mere functionality to contribute to the overall ambiance of a space.





Wood and Finish



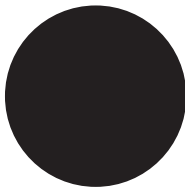
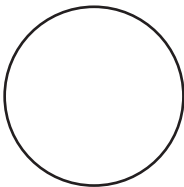
Natural Pine Plywood

Average density (according to EN 323): 580 kg/m³ (+/- 10%)
Quality of faces (according to EN 635-3): 1/1
Finish: 2 faces sanded
Adhesive (according to EN 314-2): Class 3
Service class (EN 636): Class 3 for outdoor use
Formaldehyde release (EN 13986): E1
Pentachlorophenol content (EN 13986): ~ PCP 0 ppm
FSC and PEFC Certified



Natural Birch Plywood

High strength and durability.
Lightweight, rigid, and resistant to splitting and warping.
Easily moldable into curved or irregular shapes.
Exterior WBP bonding in accordance with EN 314-2 / Class 3 for outdoor applications.
Fire classification: D-s2, d0 (EN 13501), for floors starting from 9 mm.
E17 118R11 for buses.
Approval for vehicle floors 95/28/EC.
Density: 700 kg/m³.
FSC and PEFC Certified



Lacquered MDF

Glue Standards: E2, E1, E0
Density: 730 kg/m³ (7-25mm thickness)
Surface Material: Melamine Paper, Natural Wood Veneer, HPL, UV Varnish, Acrylic, etc.
Surface Treatment: Matte, Light, Magic, Glossy, High Glossy, etc.
Surface Colors: White, Black, RAL Colors
Moisture Content: 4%-13%
Surface Bonding: ≥ 1.20 MPa
Modulus of Rupture: ≥ 20 MPa
Water Absorption Expansion: $\leq 10\%$
Internal Bonding: ≥ 0.45 MPa
Modulus of Elasticity: ≥ 2200 MPa
Screw Holding: Face ≥ 1000 N, Side ≥ 800 N
Certificate: CARB/FSC/CE/ISO9001:2000/ISO14001

Materials and Certifications

Wood

We commit to exclusively using FSC (Forest Stewardship Council) certified woods in our products. The FSC certification verifies that the wood comes from sustainably and responsibly managed forests, adhering to strict environmental, social, and economic standards. This implies that the wood harvesting process is managed to preserve biodiversity, respect the rights of local communities, and ensure that forest resources are used sustainably for future generations.

Our pledge to utilize only FSC-certified woods reflects our commitment to environmental sustainability and social responsibility. By supporting sustainable forestry practices, we contribute to preserving forest ecosystems, mitigating environmental impact, and promoting responsible management of natural resources. The FSC certification serves as a guarantee that underscores our commitment to environmental protection and respect for the local communities involved in wood production.





CONTRACT FURNITURE - MODULAR DESIGN
www.keigio.com

© **KEIGIO DESIGN S.L.** - C. Pallars 84, Àtico 4
08003 BARCELONA Spain - info@keigio.com - T +34 628 009 371